

# 7" Embedded Touch PC



- Allwinner® V40 Cortex™ QuadCore Processor
- 1 GB DDR3 RAM; 8 GB EMMC FLASH
- Cortex™ A7 Chipset
- Full HD Resolution – 1920 x 1080
- Android 4.2, 4.4 & Linux Support, WinCE optional
- Optional Bluetooth & GPS
- Integrated HI-FI 100dB Audio Codec, 2x 6W amplifier



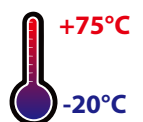
Available in two standard versions with just W-LAN or with W-LAN, Bluetooth 4.0 and GPS integrated, POE-plugIn and OTG-port added, it is faytech's most powerful QuadCore solution for Linux and Android projects. Even WinCE-BSPs are available for project partners. Now available in faytech's embedded capacitive TPC series or also as single embedded system. faytech's Embedded Touchscreen Series is the cost effective solution for machine control, automation, and digital signage. By including pre-installed Android 4.2, Android 4.4 or Linux, a powerful Allwinner V40 QuadCore CPU, Mali400MP2 graphics chipset, numerous interfaces such as USB, serial, network, TTL / UART, Mini-PCle, HDMI, VGA, GPIO, LVDS and extended DC -IN, faytech's new Embedded Series is the right choice for reliable, industrial solutions.

Each embedded system comes standard with 1 GB DDR3 RAM and 8 GB flash memory and includes a S-ATA connector as well as SD card slot for further hard disk expansion. Wi-Fi is integrated, and over MiniPCle the systems can be upgraded to 3G + GPS using the available SIM card slot.

The touch features capacitive 10-finger multitouch panels, Anti Glare chemical etched treatment and optional bonded to the LED backlighting panels, backed by faytech's warranty for pixel accuracy (A + quality).

The design of the Embedded Touchscreen series follows the application: flat easy to integrate IP65 front and stable rear housing with VESA-100 mounting for fixing / integration.

faytech 's new Embedded Touchscreen Series is our most cost-effective solution for intelligent machine control, and like all faytech's reliable touch devices built for precision and durability.



<b>Product name</b>	<b>7" Embedded Touch PC</b>
<b>Article code / EAN numer</b>	<b>FT07V40M400W1G8GCAP / 6920734007905</b>

LCD Panel	
IP rating	IP65 Front / IP40 Back
Screen diagonal (Inch/cm)	7/17.78
Display active screen size (cm)	15.36x9.00
Aspect ratio	16:9
Physical resolution	1024x600
External Maximum showable resolution - DP	1920x1080
Colours displayed	262K
Brightness (cd/m <sup>2</sup> )	500
Contrast	700:1
Typical reaction time Tr/ Tf (ms)	10/15
Visual Angle horizontal/vertical (°)	150/145
Backlight / Backlight Lifetime (hours)	LED / 20,000

Operation / Mechanical	
Operating Temperature (°C)	-10 ~ +60
Humidity Range (RH)	10%-90%
Net weight (kg)	1.0
Gross weight (kg)	2.0 (incl. cartonage)
Housing material	Rubber Front Case, Plastic Back Case
Housing (cm) LxWxH	19.56 x 13.76 x 3.75
Mounting	VESA 75

Internal Connectors	
1x SD-card	
1x SIM-card	
2x Serial	
4x TTL UART	
2x USB 2.0	
18/24Bit LVDS	
6x GPIO (A20: 20x GPIO)	
1x Line-In	
1x Line-Out	
1x Amplifier for 2x 6W loudspeaker	
1x SATA-Port	
1x RTC	

External Connectors	
8-18V DC-IN, screwable	
2x USB 2.0	
1x USB OTG	
1x Serial	
1x 10/100/1000Mbit RJ45 Ports with connector for POE	
1x Audio-In	
1x Audio-Out	
1x W-LAN-connector	
1x HDMI	
1x GPIO	
1x SD-card slot	
1x SIM-card slot	

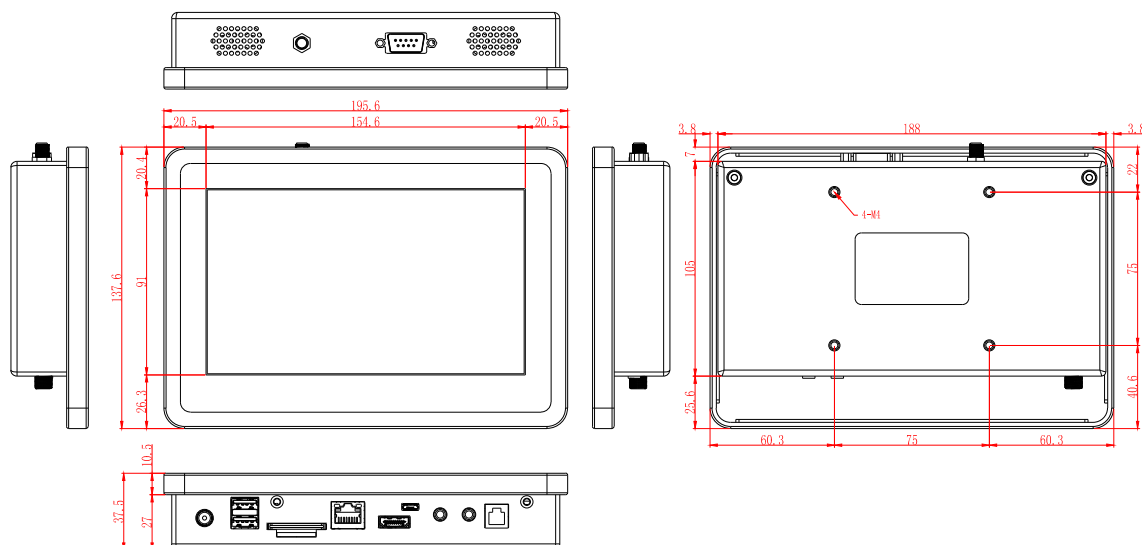
PC System	
CPU	Allwinner® V40 QuadCore (A20 DualCore optional)
Chipset	Cortex A7
Graphic GPU	ARM® Mali400 Mp2 Complies with OpenGL ES 2.0/1.1
Audio	Integrated HI-FI 100dB Audio Codec Dual analog mic, 2x6W amplifier
Memory	1x 1GB DDR3
Storage	8GB EMMC Flash
Network	10M/100M/1000M Network; W-LAN
Driver Support	Android 6.0 / 4.4 (A20: Android 4.4 / Linux Linaro)
Preinstalled OS	Android 6.0 / 4.4 (A20: Android 4.4)

Touch Panel	
Touch Technology	Projected Capacitive 10-Point Multitouch
Touch Connector	USB
Touch Life (Contacts)	Unlimited
Surface Hardness	7H

Power	
Power Indicator	Green LED
Power Supply	100-240V ACDC active switching; 12V DC-Out
Working Power (V)	8-18
Power Consumption (W)	8
Stand-By Consumption (W)	<1

Included in the Delivery	
Power Supply (see Power section)	
W-LAN Antenna	
Short Installation Manual	

Expansion slots	
1x MiniPCle	



## Corporate Headquarters

**faytech Tech. Co., Ltd.**  
 Building F., Hongmen Tech. Zone,  
 Jihua Rd., Shenzhen, China 518129

[support@faytech.com](mailto:support@faytech.com)  
[contact@faytech.com](mailto:contact@faytech.com)  
[www.faytech.com](http://www.faytech.com)

China: +86 755 89580612  
 Germany: +49 551 82098660  
 USA: +1 646 205 3214