

8" Embedded Touch PC



- Allwinner V40 Cortex® A7 QuadCore 1GHz Processor
- 1 GB DDR3 RAM; 8 GB EMMC FLASH
- Via Mini PCIe 3G and 4G support
- Supports Linux & Android up to version 6.X (WinCE ~~opti~~)
- Optional Bluetooth & GPS
- Integrated HI-FI 100dB Audio Codec, 2 x 6W amplifier

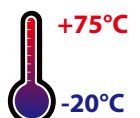
Available in two standard versions with just W-LAN or with W-LAN, Bluetooth 4.0 and GPS integrated, POE-plugIn and OTG-port added, it is faytech's most powerful QuadCore solution for Linux and Android projects. Even WinCE-BSPs are available for project partners. Now available in faytech's embedded capacitive TPC series or also as single embedded system. faytech's Embedded Touchscreen Series is the cost effective solution for machine control, automation, and digital signage. By including pre-installed Android 4.2, Android 4.4 or Linux, a powerful Allwinner V40 QuadCore CPU, Mali400MP2 graphics chipset, numerous interfaces such as USB, serial, network, TTL / UART, Mini-PCIe, HDMI, VGA, GPIO, LVDS and extended DC -IN, faytech's new Embedded Series is the right choice for reliable, industrial solutions.

Each embedded system comes standard with 1 GB DDR3 RAM and 8 GB flash memory and includes a S- ATA connector as well as SD card slot for further hard disk expansion. Wi-Fi is integrated, and over MiniPCIe the systems can be upgraded to 3G + GPS using the available SIM card slot.

The touch features capacitive 10-finger multitouch panels, Anti Glare chemical etched treatment and optional bonded to the LED backlighting panels, backed by faytech's warranty for pixel accuracy (A + quality).

The design of the Embedded Touchscreen series follows the application: flat easy to integrate IP65 front and stable rear housing with VESA-100 mounting for fixing / integration.

faytech 's new Embedded Touchscreen Series is our most cost-effective solution for intelligent machine control, and like all faytech's reliable touch devices built for precision and durability.



Product name	8" Embedded Touch PC
Article code / EAN number	FT08V40M400W1G8GCAP /

LCD Panel	
IP rating	IP65
Screen diagonal (Inch/cm)	8/20.32
Display active screen size	16.20x12.20
Aspect ratio	4:3
Physical resolution	1024x768
External Maximum showable resolution - DP	1920x1080
Colours displayed	16.7M
Brightness (cd/m ²)	250
Contrast	700:1
Typical reaction time Tr/ Tf (ms)	6/14
Visual Angle horizontal/vertical (°)	150/150
Backlight / Backlight Lifetime (hours)	LED / 20,000

Operation / Mechanical	
Operating Temperature (°C)	-10 ~ +60
Humidity Range (RH)	10%-90%
Net weight (kg)	1.40
Gross weight (kg)	2.40
Housing material	ABS
Housing (cm) LxWxH	20.10 x 16.05 x 3.57
Mounting	VESA 75

PC System	
CPU	Allwinner V40 Cortex™ A7 QuadCore
Chipset	Cortex A7
Graphic GPU	ARM® Mali400 Mp2 Complies with Open-GL ES 2.0/1.1
Audio	Integrated HI-FI 100dB Audio Codec Dual analog mic, 2x6W amplifier
Memory	1x 1GB DDR3
Storage	8GB EMMC Flash
Network	10M/100M/1000M Network; W-LAN
Driver Support	Android 6.0 / 4.4 (A20: Android 4.4)
Preinstalled OS	Android 6.0 / 4.4 (A20: Android 4.4)

Touch Panel	
Touch Technology	Projected Capacitive 10-Point Multitouch
Touch Connector	USB
Touch Panel Drivers	Windows; Linux; Mac; Android
Touch Life (Contacts)	Unlimited
Surface Hardness	7H

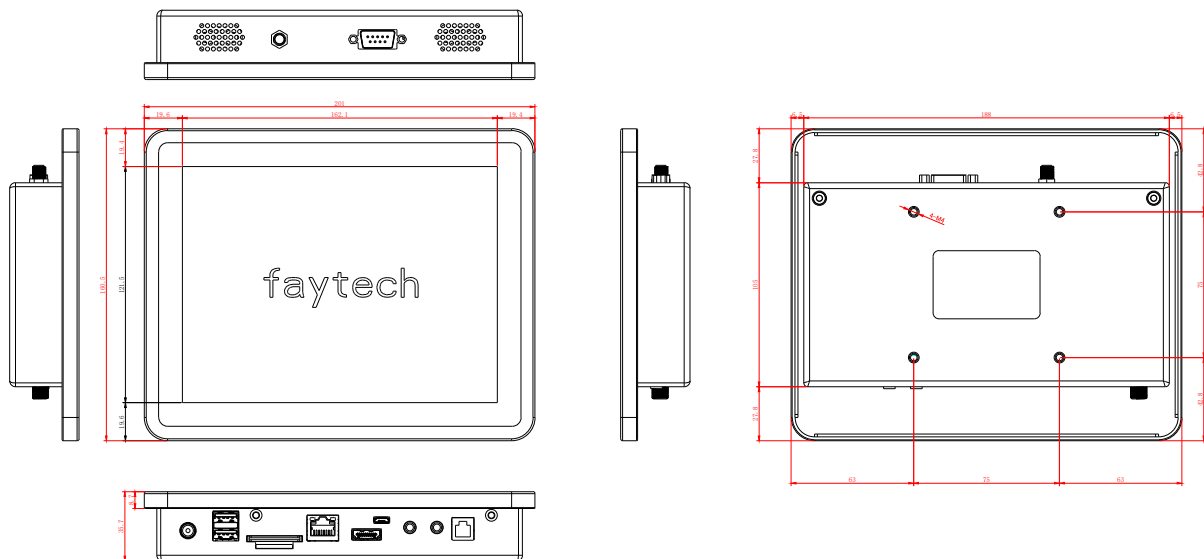
Power	
Power Indicator	Green LED
Power Supply	100-240V ACDC active switching; 12V DC-Out
Working Power (V)	8~18
Power Consumption (W)	13
Stand-By Consumption (W)	<1

Expansion slots
1x MiniPCle

Included Accessories
Power Supply (see Power section)
W-LAN Antenna
Short Installation Manual

External Connectors
8-18V DC-IN, screwable
2x USB 2.0
1x USB OTG
1x Serial
1x10/100/1000Mbit RJ45 Ports with connector for POE
1x Audio-In
1x Audio-Out
1x W-LAN-connector
1x HDMI
1x GPIO Connector

Internal Connectors
1x SD-card
1x SIM-card
2x Serial
4x TTL UART
2x USB 2.0
18/24Bit LVDS
6x GPIO (A20: 20x GPIO)
1x Amplifier for 2x 6W loudspeaker
1x SATA-Port
1x RTC
1x Line-In
1x Line-Out



Corporate Headquarters

faytech Tech. Co., Ltd.
 Building F., Hongmen Tech. Zone,
 Jihua Rd., Shenzhen, China 518129

support@faytech.com
contact@faytech.com
www.faytech.com

China: +86 755 89580612
 Germany: +49 551 82098660
 USA: +1 646 205 3214