

10.1" Capacitive Touch Monitor



- Patented IP65 Front with silicon seal
- Strengthened cover glass
- Anti glare treatment (chemical etching)
- 10-finger-multi touch capacitive touch
- LED backlight backed Panels in A+ quality
- Screwable connection for rugged environments

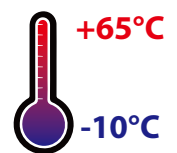


faytech's capacitive Touchscreen Monitor series has a modern sleek look with its flat edge to edge glass front panels, and a patented silicone rubberized seal making the front panels IP65 water proof and dust proof.

This new series comes with capacitive 10 finger multi touch, glass front following MosH7, the glass surface is anti glare treated (chemical etched), a wide variety of interfaces including USB-B for touch, HDMI, DVI-D, VGA and Audio inputs, all lockable including the DC-IN. Each capacitive Touch Monitor has an A+ industrial LCD panel backed by faytech's 100% no dead pixel guarantee. Each monitor comes with its own desktop stand, and screw patterns on the back for VESA-100 mounts.

The high resolution support (e.g. 768p, 1920x1200 pixels) of these faytech touchscreens make them the perfect choice for a wide variety of applications including use in POS systems, as control panels in the industrial area, in kiosk systems, for machine control, in the office and in many other areas.

The integrated 10 finger capacitive multi touch panel is robust and accurate. The touch function is quickly established via the USB port of your PC. faytech includes touchscreen drivers for popular Microsoft (CE, WinXP, Vista, Win 7, Win 8, Win 10), Mac, Android and Linux operating systems. For Win 7, Win 8 and Win 10 operating systems no driver installation is needed. Login using virtual keyboard and immediate use of windows gestures making starting and using Windows incredibly easy. Embedded systems like e.g. the raspberry Pi are also supported.



Product name	10.1" Capacitive Touch Monitor
Article code / EAN number	FT101TMBCAP / 6920734010141

LCD Panel	
IP rating	IP65 Front / IP40 Back
Screen diagonal (Inch/cm)	10.1/25.65
Display active screen size (cm)	21.70×13.60
Aspect ratio	16:10
Physical resolution	1280×800
Maximum showable resolution	1920×1080
Colours displayed	16.7M
Brightness (cd/m ²)	350
Contrast	800:1
Typical reaction time Tr/ Tf (ms)	10/15
Visual Angle horizontal/vertical (°)	170/170
Backlight / Backlight Lifetime (hours)	LED / 20,000

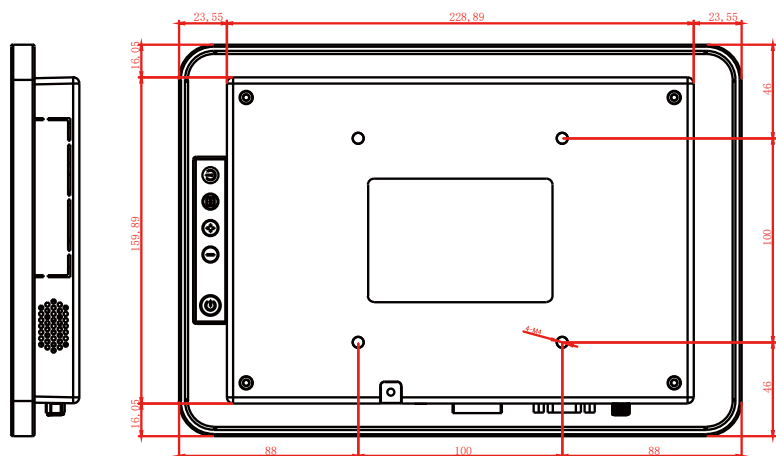
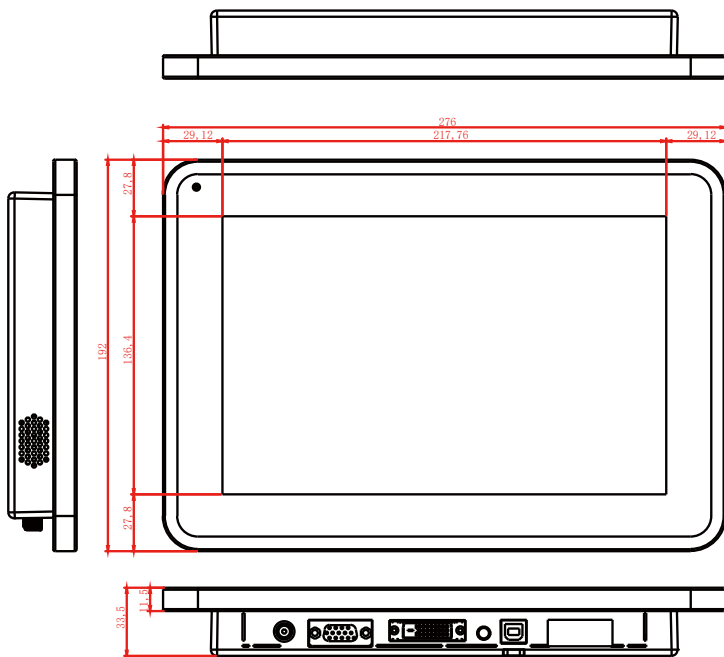
External Connectors	
Video	1x VGA
	1x DVI-D
	1x HDMI 1.3 (incl. HDCP)
Audio	1x PC-Audio
Touch Connector	1x USB
Connectors	1x 12V DC-IN

Touch Panel	
Touch Technology	Projected Capacitive 10-point Multitouch
Touch Connector	USB
Touch Panel Drivers	Windows; Linux; Mac; Android
Touch Life (Contacts)	Unlimited
Surface Hardness	7H
Surface Treatment	Chemical etched Anti Glare effect

Operation / Mechanical	
Operating Temperature (°C)	-10 ~ +60
Humidity Range (RH)	10%-90%
Net weight (kg)	0.95
Gross weight (kg)	2.20 (incl. cartonage)
Housing material	Rubber front case and Plastic back case
Housing (cm) LxWxH	27.60 x 19.20 x 3.40
Mounting	VESA 100

Power	
Power Indicator	Green LED
Power Supply	100-240V ACDC active switching; 12V DC-Out
Working Power (V)	12
Power Consumption (W)	10
Stand-By Consumption (W)	<1

Included in the Delivery	
Power Supply (see Power section)	
Driver DVD	
Short Installation Manual	
Cables - VGA, USB Touch, Audio Cable	



Corporate Headquarters

faytech Tech. Co., Ltd.
Building F., Hongmen Tech. Zone,
Jihua Rd., Shenzhen, China 518129

support@faytech.com
contact@faytech.com
www.faytech.com

China: +86 755 89580612
Germany: +49 551 82098660
USA: +1 646 205 3214