

10" Resistive Touch PC



- 5-wire resistive touch panel
- fay-002 industrial mainboard
- Intel DualCore Celeron N2807 CPU
- 2GB RAM (expandable to 4GB);
- Supports Win7/8/10, Linux, 32Bit, 64Bit
- Consumer and industrial interfaces
- High-quality black aluminum housing
- Pre-installed actual Linux Ubuntu OS
- Wi-Fi (Intel 533AN) integrated
- Audio amplifier with 2x2W speakers
- VESA 100 bracket for mounting
- 2 year bring-in guarantee



Through its fanless silent operation, lack of moving parts and sturdy design faytech's Aluminum Touch PC V2's has the reliability needed to separate it from standard PC systems.

The new version is equipped with brand new fay-002 industrial mainboard, equipped with a strong Intel Celeron DualCore CPU, Intel HD graphics, 2G RAM and 64Gbyte SSD the system offers 32 bit/64bit Linux/Microsoft OS (Win7/Win8/Win10) support.

Using reliable 5-wire resistive touch panels and combine them with faytech's even subpixel free A+ LCD panels it is faytech's cost effective but reliable solution for long term operation in today's demanding manufacturing, commercial, and retail environments.

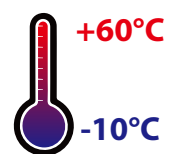
faytech's Touch PCs are ideal for use in industrial applications, POS systems, machine control and maintenance, building automation, digital signage and many more challenging situations.

Touchscreen drivers included for popular Microsoft (Win7/Win8/Win10) and Linux OS

Customization available for project customers (e.g. higher brightness, IP protection classes, optional touch screen technologies, etc.).



* stand FTV100SF is an optional accessory.



Product name	10" Resistive Touch PC
Article code / EAN numer	FT10N2807W2G64G / 6920734010516

LCD Panel	
IP rating	IP40
Screen diagonal (Inch/cm)	9.7/24.64
Display active screen size	19.70×14.70
Aspect ratio	4:3
Physical resolution	1024×768
External Maximum showable resolution - DP	1920×1200
Colours displayed	16.7M
Brightness (cd/m ²)	350
Contrast	800:1
Typical reaction time Tr/ Tf (ms)	10/15
Visual Angle horizontal/vertical (°)	170/170
Backlight / Backlight Lifetime (hours)	LED / 20,000

Operation / Mechanical	
Operating Temperature (°C)	-10 ~ +60
Humidity Range (RH)	10%-90%
Net weight (kg)	2.00
Gross weight (kg)	2.90 (incl. cartonage)
Housing material	Aluminum
Housing (cm) LxWxH	25.90 x 20.60 x 5.35
Mounting	VESA 100

Internal Connectors	
1x SO-DIMM Slot, max. 4GB, DDR3L-1333 Single channel memory	
1x 12V DC power connector (2-pin)	
1x 4-pin SATA power connector; 2x S-ATA 3GB/s ports	
1x VGA pin header; 1x VGA pin header; 1x DP-Pin-Header	
1x LVDS connector; 1x S/PDIF output pin header	
1x 5-pin LCD power connector	
1x 4-pin (2x2W) audio amplifier connector	
1x PS/2 keyboard/mouse connector (6-pin)	
1x USB 2.0 header supports additional 4x USB 2.0 ports	
2x RS232 connectors; 1x 8-bit Digital I/O interface	
1x Chassis Fan connector	

PC System	
CPU	Intel® Celeron™ DualCore N2807
Chipset	Intel® E3800
Graphic GPU	Intel® HD Graphics
Audio	Realtek 887 8 -channel high definition audio codec, Audio Amplifier EUA 2012A
Memory	1x 2GB DDR3L SODimm (expandable to 4GB)
Storage	faytech Industrial 64GB SSD
W-LAN	2x Realtek PCIe GB LAN 8111G
Driver Support	Win7/8/10; Linux; 32Bit/64Bit
Preinstalled OS	Linux Ubuntu

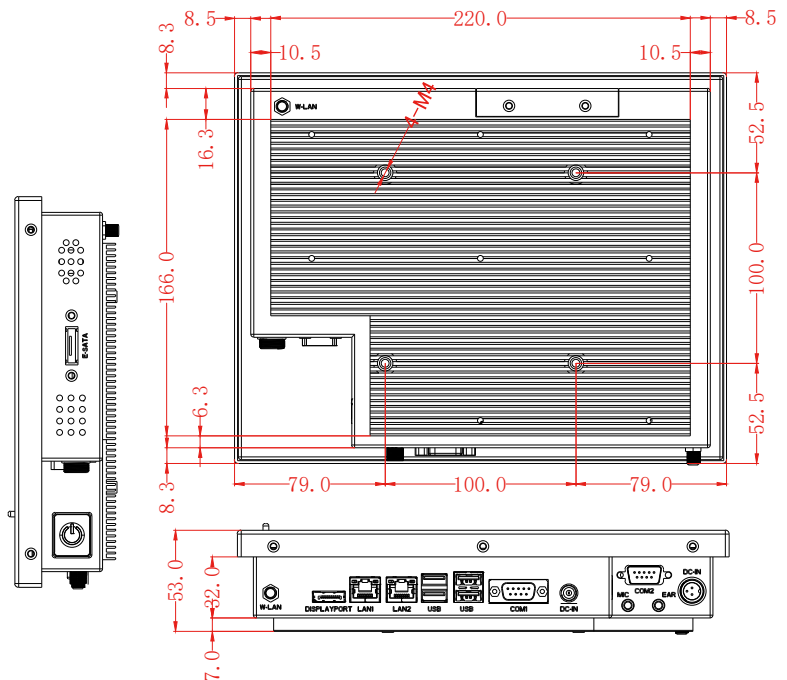
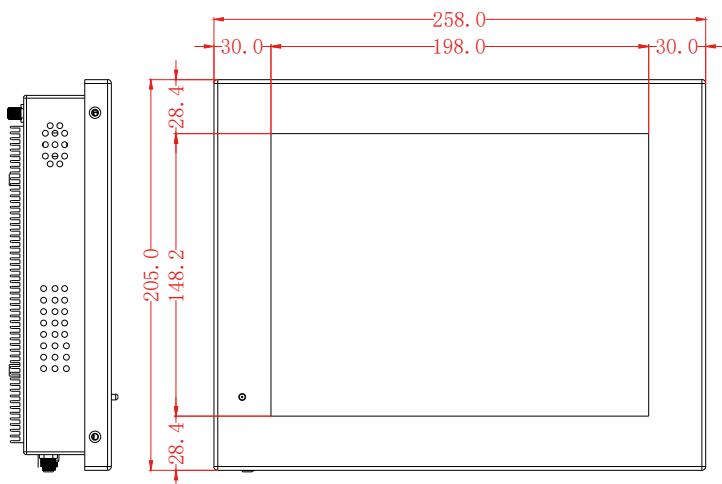
Touch Panel	
Touch Technology	5-Wire Resistive
Touch Connector	USB
Touch Panel Drivers	Windows; Linux; Mac; Android
Touch Life (Contacts)	10 million in 1 location without failure
Surface Hardness	3H

Power	
Power Indicator	Green LED
Power Supply	100-240V ACDC active switching; 12V DC-Out
Working Power (V)	12
Power Consumption (W)	18
Stand-By Consumption (W)	<0.5

External Connectors	
1x Display port	
1x USB 3.0, 3x USB 2.0 ports	
2x COM port Full-PIN (RS232; 5V/12V)	
2x 10/100/1000Mbit RJ45 Ports	
MIC-In, EAR-Out	
1x 12V DC-In (screwable)	
1x On/Off-button	
3x W-LAN connector	
1x 2.5" module slot, changeable SSD included	
1x ESATA	

Expansion slots	
2x Mini Card slots with PCIe and USB interface (2 x Full Height/Half height changeable)	

Included in the Delivery	
Power Supply (see Power section)	
Driver DVD	
Short Installation Manual	
Stylus	



Corporate Headquarters

faytech Tech. Co., Ltd.
 Building F., Hongmen Tech. Zone,
 Jihua Rd., Shenzhen, China 518129

support@faytech.com
contact@faytech.com
www.faytech.com

China: +86 755 89580612
 Germany: +49 551 82098660
 USA: +1 646 205 3214