

# 10" Resistive Touch Monitor



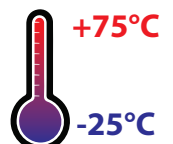
- High resolution support (e.g. 1080p, 1920×1200 pixels)
- 3 video inputs, extended current input (8-36V)
- Extended temperature range, 24/7-operation
- Suitable for usage with HTPC, in industrial area, kiosk systems, for machine control, home automation, on farm machinery and many other areas
- Extra robust components, mountable, Backlight LED, high quality pedestal



faytech's 7"-12" Touch Monitor Series has numerous detailed improvements including lockable standard connections, a unique cable channeling back cover and mounting frames for machine and wall mount integration. Additionally, each model has shorter starting time and reaction time due to our improved controller chipset.

The series retains its rich assortment of features including: LED backlights, 4-wire resistive touch panel, extra robust components, extended current input (8-36V), VGA+HDMI ports, three video inputs, wall mountable, a high-quality stand, and extended temperature range. Each Touch Monitor comes with faytech's 100% guarantee of no defective pixels, and is 24/7 operational.

The high-resolution support (e.g. 1080p, 1920×1200 pixels) of these faytech Touch monitors make them the perfect choice for a wide variety of applications. Such as using as a surveillance monitor when combined with an HTPC or with security cameras; as control panels in the industrial field; in kiosk systems; as cash monitor or information terminals; for machine control; home automation; on farm machinery; on forklifts in distribution centers; wind turbine controls; telematics in transportation systems and in many other fields.



<b>Product name</b>	<b>10" Resistive Touch Monitor</b>
<b>Article code / EAN number</b>	<b>FT10TMB / 6920734010110</b>

LCD Panel	
IP rating	IP40
Screen diagonal (Inch/cm)	9.7/24.64
Display active screen size (cm)	19.70×14.70
Aspect ratio	4:3
Physical resolution	1024×768
Maximum showable resolution (TPCs: external)	1920×1080
Colours displayed	16.7M
Brightness (cd/m <sup>2</sup> )	350
Contrast	800:1
Typical reaction time Tr/ Tf (ms)	10/15
Visual Angle horizontal/vertical (°)	170/170
Backlight / Backlight Lifetime (hours)	LED / 20,000

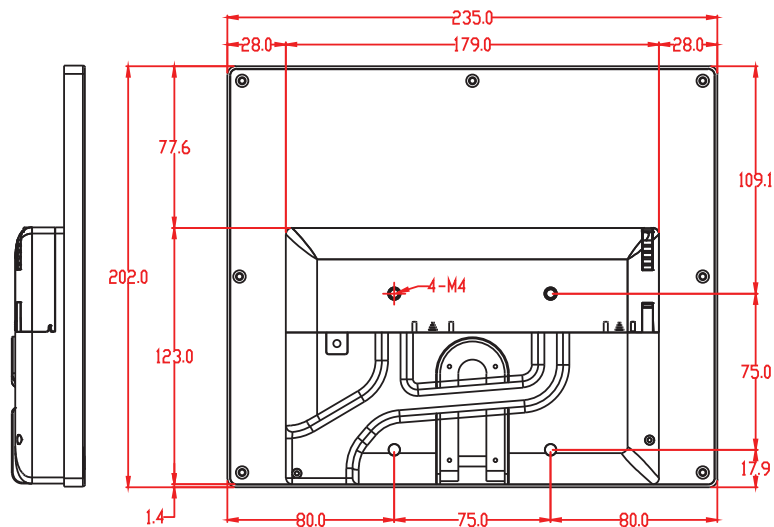
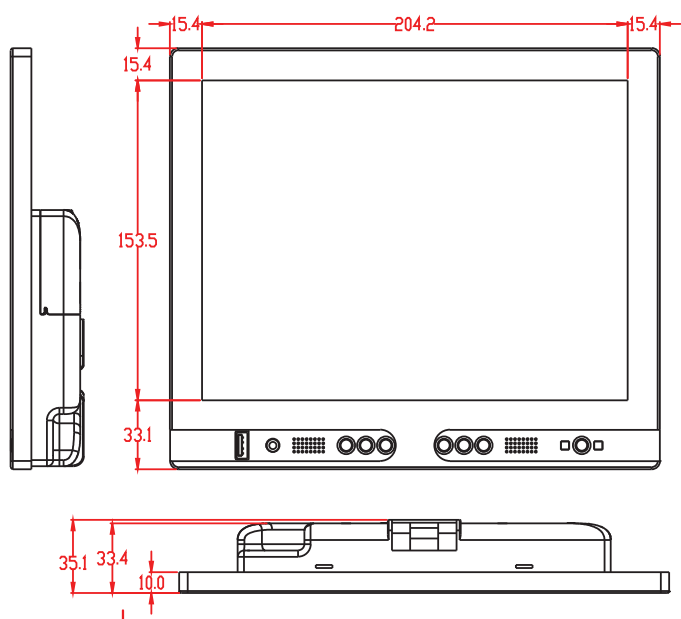
External Connectors	
Video	1x HDMI 1.3 (incl. HDCP)
	1x VGA
	1x Video1
	1x Video2_Backview
	1x Backview-Detect
	1x YpbPr
Audio	1x VGA-Audio
	1x Video-Audio
	1x Earphone-Out
Touch Connector	1x USB
	1x Serial
Connectors	1x 8~36V DC-IN
	1x USB (Front)

Touch Panel	
Touch Technology	4-Wire Resistive
Touch Panel Drivers	Windows; Linux; Mac; Android
Touch Life (Contacts)	1 million touch in 1 location
Surface Hardness	3H
Surface Treatment	Anti-glare

Operation / Mechanical	
Operating Temperature (°C)	-25 ~ +75
Humidity Range (RH)	10% - 90%
Net weight (kg)	1.20
Gross weight (kg)	2.20 (incl. cartonage)
Housing material	Plastic
Housing (cm) L × W × H	23.50 × 20.20 × 3.51
Mounting	VESA 75

Power	
Power Indicator	Green LED
Power Supply	100-240V ACDC active switching; 12V DC-Out
Working Power (V)	8~36
Power Consumption (W)	8
Stand-By Consumption (W)	<0.5

Included in the Delivery	
Power Supply (see Power section)	
Stylus	
Remote Controller	
Driver DVD	
Short Installation Manual	
Cables - VGA, USB Touch	
Car Adapter	
faytech FTV75PSF Stand	
Mounting Frame	
Mounting Rail	
Cable Cover	



## Corporate Headquarters

**faytech Tech. Co., Ltd.**  
 Building F., Hongmen Tech. Zone,  
 Jihua Rd., Shenzhen, China 518129

[support@faytech.com](mailto:support@faytech.com)  
[contact@faytech.com](mailto:contact@faytech.com)  
[www.faytech.com](http://www.faytech.com)

China: +86 755 89580612  
 Germany: +49 551 82098660  
 USA: +1 646 205 3214