

15" Capacitive Touch PC



- Edge-to-edge glass IP65 rated
- 10-finger multitouch touch screen Panel
- Intel Celeron J1900 CPU, Intel HD Graphics
- 4GB RAM (expandable to 8GB)
- 64GByte SSD included
- 32Bit and 64Bit support, Linux and Win 7/8/10 support
- Pre-installed Linux Ubuntu OS
- Consumer and industrial interfaces
- Integrated Wi-Fi (Intel 533AN), 2x10/100/1000 Mbps network ports
- Audio amplifier with 2x2w speakers
- VESA 100 bracket for mounting, metal stand included
- Customization available upon request



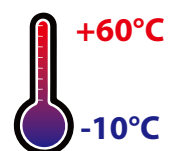
faytech's innovative IP65 Front Capacitive Touchscreen PC with its silent fanless operation, reliability, and fine craftsmanship, stands out from the competition.

The Touchscreen PC features a sleek modern appearance. Flat edge to edge glass with a patented silicone rubberized seal ensures the front panel is water proof and dust proof meeting the requirements of IP65 standards. The back has a sturdy aluminum case manufactured out of a continuous casting mold with stable VESA-100 fixation bolts offering numerous industrial and consumer connectors like four serial ports, eight GPIOs or USB 3.0.

The heart of the Touchscreen PC is faytech's industrial fay-002 mainboard with the powerful but fanlessly cooled Intel Celeron J1900 QuadCore processor with up to 2.42GHz Core speed, equipped with 4GByte RAM, 64G SSD and Intel's HD Graphic chipset, supporting FullHD, DirectX 11.1 and OpenGL 4.0.

The capacitive touch panel is completely inhouse developed by faytech's renowned engineers. Anti Glare chemically etched surface treatment, 10-finger multitouch and unlimited touches without failure on the touch panel are class leading features. Behind that touch panel are faytech's A+ panels, guaranteeing that there is not even a single sub-pixel defect. As an option, customers can chose optical bonding and high brightness panels to further improve the visual impression of the product.

faytech's industrial touch PCs ensure the performance and stability required for long term operation in today's demanding manufacturing, commercial, and retail environments.



| | |
|--------------------------|------------------------------------|
| Product name | 15" Capacitive Touch PC |
| Article code / EAN numer | FT15J1900W4G64GCAP / 6920734015559 |

| Anti-glare LCD Panel | |
|---|--------------|
| IP Rated Front Panel | IP65 |
| Screen diagonal (Inch/cm): | 15/38.10 |
| Display active screen size: | 30.40×22.80 |
| Aspect ratio: | 4:3 |
| Physical resolution: | 1024×768 |
| External Maximum showable resolution - DP | 1920×1200 |
| Colours displayed: | 16.2M |
| Brightness (cd/m2): | 300 |
| Contrast: | 700:1 |
| Typical reaction time Tr/ Tf (ms): | 8/8 |
| Visual Angle horizontal/vertical (°): | 160/160 |
| Backlight / Backlight Lifetime (hours): | LED / 40,000 |

| Operation / Mechanical | |
|----------------------------|-------------------------|
| Operating Temperature (°C) | -10 ~ +60 |
| Humidity Range (RH) | 20%-90% |
| Net weight (kg) | 3.40 |
| Gross weight (kg) | 5.30 (incl. cartontage) |
| Housing material | Aluminum |
| Housing (cm) LxWxH | 35.20 x 27.60 x 6.20 |
| Mounting | VESA 100 |

| Internal Connectors | |
|---|--|
| 1x SO-DIMM Slot, max. 8GB, DDR3L-1333 Single channel memory | |
| 1x 12V DC power connector (2-pin); 1x 4-pin SATA power connector | |
| 2x S-ATA 3GB/s ports; 1x 5-pin LCD power connector | |
| 1x VGA pin header; 1x DP-Pin-Header; 1x LVDS connector | |
| 1x S/PDIF output pin header | |
| 1x 4-pin (2x2W) audio amplifier connector | |
| 1x PS/2 keyboard/mouse connector (6-pin) | |
| 1x USB 2.0 header supports additional 4x USB 2.0 ports | |
| 3x RS232/RS485 COM connectors, switchable between RS232/RS485 in BIOS | |
| 1x 8-bit Digital I/O interface | |
| 1x Chassis Fan connector | |

| PC System | |
|-----------------|---|
| CPU | Intel® Celeron™ QuadCore J1900 |
| Chipset | Intel® E3800 |
| Graphic GPU | Intel® HD Graphics |
| Audio | Realtek 887 8 -channel high definition audio codec, Audio Amplifier EUA 2012A |
| Memory | 1x 4GB DDR3L SODimm (expandable to 8GB) |
| Storage | faytech Industrial 64GB SSD |
| W-LAN | 2x Realtek PCIe GB LAN 8111G |
| Driver Support | Win7/8/10; Linux; 32Bit/64Bit |
| Preinstalled OS | Linux Ubuntu |

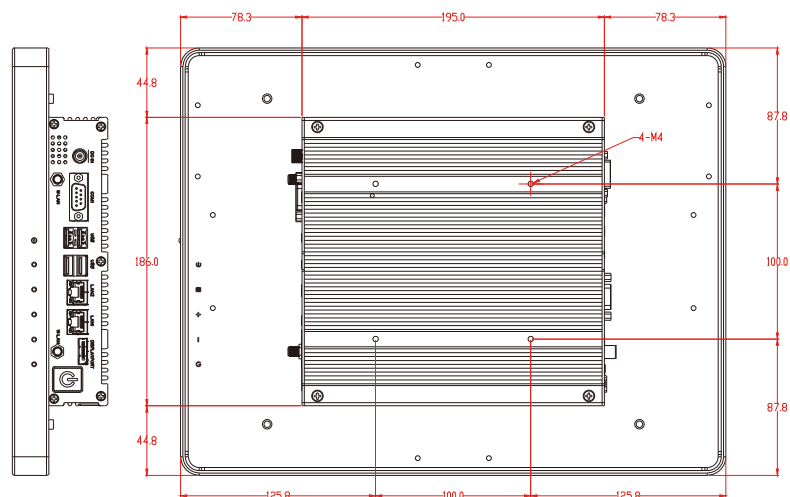
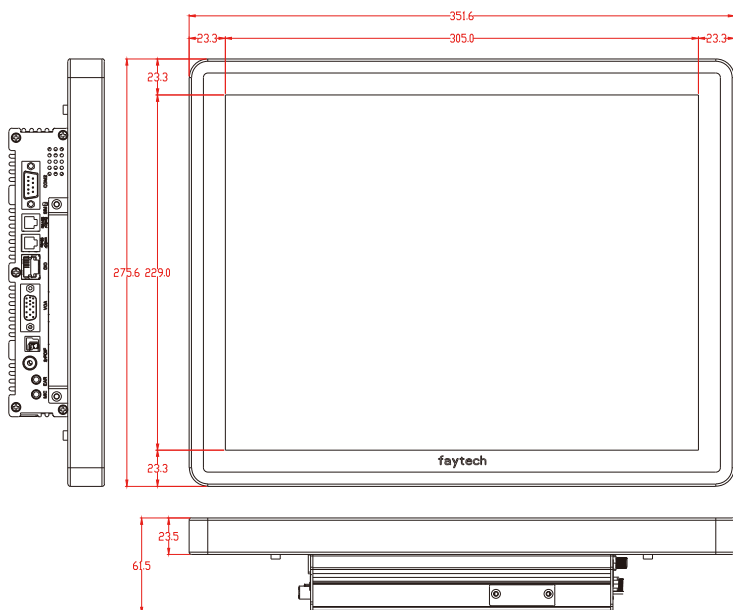
| Touch Panel | |
|-----------------------|--|
| Touch Technology | Projected Capacitive 10-Point Multitouch |
| Touch Connector | USB |
| Touch Panel Drivers | Windows; Linux; Mac; Android |
| Touch Life (Contacts) | Unlimited |
| Surface Hardness | 7H |

| Power | |
|--------------------------|--|
| Power Indicator | Green LED |
| Power Supply | 100-240V ACDC active switching; 12V DC-Out |
| Working Power (V) | 12 |
| Power Consumption (W) | 28 |
| Stand-By Consumption (W) | <0.5 |

| External Connectors | |
|--|--|
| 1x Display port; 1x VGA-out (from internal header) | |
| 1x USB 3.0, 3x USB 2.0 ports | |
| 2x COM port Full-PIN (RS232/485; 5V/12V) | |
| 2x COM port 3-PIN (RX, TX, GND; RS232/485 switchable) | |
| 2x 10/100/1000Mbit RJ45 Ports; 2x W-LAN connector | |
| S/PDIF-Out (1x Cinch, 1x Torx) | |
| MIC-In, EAR-Out; 8x In/Out GPIO as RJ45 | |
| 1x 12V DC-In (screwable) | |
| 1x On/Off-button; 1x Button-Line with On/Off + 4 GPIO-buttons on front panel | |
| 1x 2.5" module slot, changeable SSD included | |

| Expansion slots | |
|--|--|
| 2x Mini Card slots with PCIe and USB interface (2x Full Height/Half height changeable) | |
| 1x PCIeX1 Straddle connector | |

| Included in the Delivery | |
|----------------------------------|--|
| Power Supply (see Power section) | |
| Driver DVD | |
| Short Installation Manual | |
| Standard Stand | |



Corporate Headquarters

faytech Tech. Co., Ltd.
 Building F., Hongmen Tech. Zone,
 Jihua Rd., Shenzhen, China 518129

support@faytech.com
contact@faytech.com
www.faytech.com

China: +86 755 89580612
 Germany: +49 551 82098660
 USA: +1 646 205 3214