

17" Resistive Touch Monitor



- High resolution support (e.g. 1080p, 1920×1200 pixels)
- Suitable for usage with HTPC, in industrial area, kiosk systems, for machine control, home automation, on farm machinery and many other areas
- Extra robust components, mountable, Backlight LED, high quality pedestal
- VESA 100 mounting

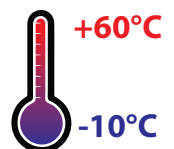


faytech's 15" to 22" Touch Monitors make your working process easier and more efficient. These monitors are packed with features and connectors that make them perfect for any industrial or commercial application. Each Touch Monitor is produced using an industrial LCD panel with backlighting (30,000+ hour lifespan), 5-wire resistive touch and anti-glare coating to enhance the user's experience and of course includes faytech's 100% guarantee of no defective pixels. The 15"-17"-19" models have VGA and DVI-D connectors, with additional S-Video and HDMI connections added to the 22" version. Each monitor comes with its own desktop stand, and screw patterns on the back for VESA 100 mounting, so it can be used in a variety of configurations for industrial and commercial environments.

The high-resolution support (e.g. 1080p, 1920×1200 pixels) of these faytech Touch Monitors make them the perfect choice for a wide variety of applications including use in POS systems, as control panels in the industrial area, in kiosk systems, for machine control, in the office and in many other fields.

The integrated touch panel is robust and accurate. The touch function is quickly established via the USB port of your PC, and industrial users can connect the touch function through the serial port. faytech includes touchscreen drivers for popular Microsoft (CE, WinXP, Vista), Mac and Linux operating systems. For Win7, 8 and 10 operating systems no driver installation is needed because of the MER4485 chipset used in faytech's in-house designed touch controller. The chipset supports login using a virtual keyboard and the immediate use of windows gestures. This makes starting and using Windows 8 or 10 incredibly easy.

Customization is available for project customers (e.g. higher brightness, brightness sensor, IP protection classes, integrated power supply, webcam, scanners, printers, capacitive and SAW touch panels, etc.)



Product name	17" Resistive Touch Monitor
Article code / EAN number	FT17TMB / 6920734017119

LCD Panel	
IP rating	IP40
Screen diagonal (Inch/cm)	17/43.18
Display active screen size (cm)	33.79×27.04
Aspect ratio	5:4
Physical resolution	1280×1024
Maximum showable resolution (TPCs: external)	1920×1200
Colours displayed	16.7M
Brightness (cd/m ²)	250
Contrast	1000:1
Typical reaction time Tr/ Tf (ms)	3.8/1.2
Visual Angle horizontal/vertical (°)	170/160
Backlight / Backlight Lifetime (hours)	LED / 30,000

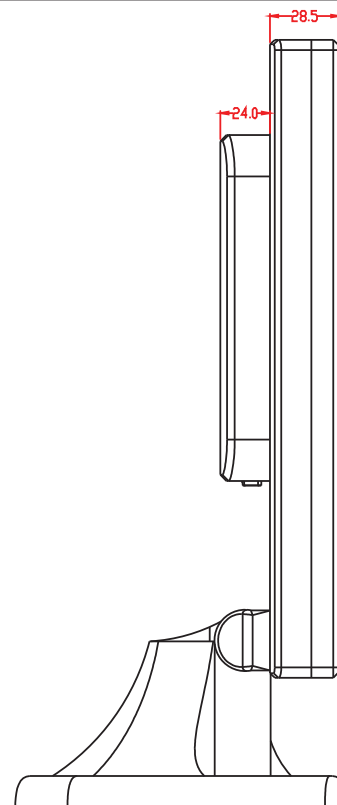
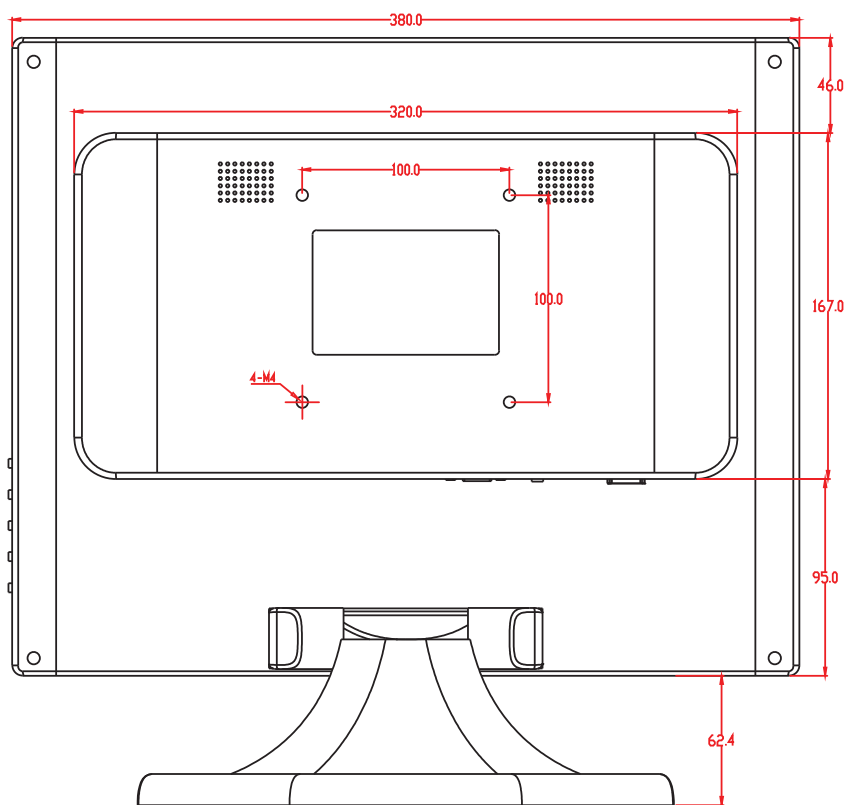
External Connectors	
Video	1x VGA
	1x DVI-D
Audio	1x Audio-In
Touch Connector	1x USB
	1x Serial
Connectors	1x 12V DC-IN

Touch Panel	
Touch Technology	5-Wire Resistive
Touch Panel Drivers	Windows; Linux; Mac; Android
Touch Life (Contacts)	10 million touch in 1 location
Surface Hardness	3H
Surface Treatment	Anti-glare

Operation / Mechanical	
Operating Temperature (°C)	-10 ~ +60
Humidity Range (RH)	10% - 90%
Net weight (kg)	4.85
Gross weight (kg)	5.85 (incl. cartilage)
Housing material	Plastic
Housing (cm) L × W × H	38.00 × 30.80 × 5.25
Mounting	VESA 100

Power	
Power Indicator	Green LED
Power Supply	100-240V ACDC active switching; 12V DC-Out
Working Power (V)	12
Power Consumption (W)	17
Stand-By Consumption (W)	<1

Included in the Delivery	
Power Supply (see Power section)	
Stylus	
Driver DVD	
Short Installation Manual	
Cables - VGA, USB Touch, Audio Cable	
Standard Stand	



Corporate Headquarters

faytech Tech. Co., Ltd.
 Building F., Hongmen Tech. Zone,
 Jihua Rd., Shenzhen, China 518129

support@faytech.com
contact@faytech.com
www.faytech.com

China: +86 755 89580612
 Germany: +49 551 82098660
 USA: +1 646 205 3214