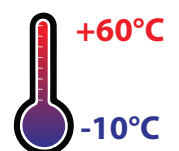
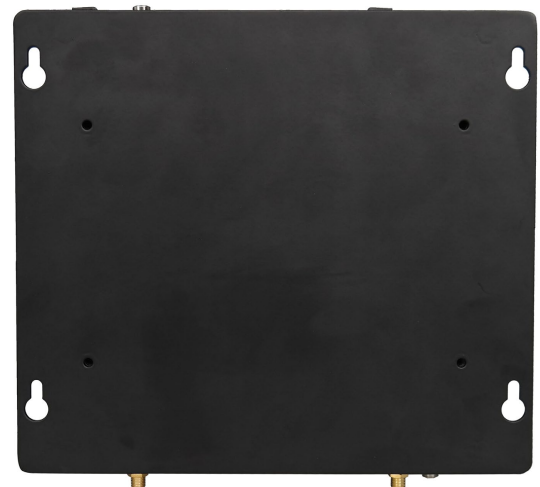


J1900 Industrial PC



Based on faytech's own industrial mainboard fay-002. The fay-002 series follows the highest industrial PC standards and provides stable performance. Powered by Intel® Dualcore N2807 and Quadcore J1900 processors based on Silvermont architecture, they deliver respectively 2 x 1.58 GHz and 4 x 2 GHz CPU frequency, which significantly improves the performance of touch PCs. Additionally, the Intel® graphic chip adds stronger graphic performance. On top of that, all of these components are compacted in a fanless design!

the small industrial PC delivers all industrial and consumer connectors needed and comes equipped with 4Gbyte DDR3 RAM, and reliable 64GByte SSDs. Without moving parts faytech's industrial PC fits perfect for harsh environments. Besides this, the system is shipped with an actual Linux Ubuntu version preinstalled.



Product name	J1900 Industrial PC
Article code / EAN numer	IPCJ1900W4G64G / 6920734000432

PC System	
CPU	Intel® Celeron™ QuadCore J1900
Chipset	Intel® E3800
Graphic GPU	Intel® HD Graphics
Audio	Realtek 887 8channel high definition audio codec, Audio Amplifier EUA 2012A
Memory	1x 4GB DDR3L SODimm (expandable to 8GB)
Storage	faytech Industrial 64GB SSD
W-LAN	2x Realtek PCIe GB LAN 8111G
Driver Support	Win7/8/10; Linux; 32Bit/64Bit
Preinstalled OS	Linux Ubuntu

Internal Connectors	
1x SO-DIMM Slot, max. 8GB, DDR3L-1333 Single channel memory	
1x 12V DC power connector (2-pin); 1x 4-pin SATA power connector	
2x S-ATA 3GB/s ports; 1x 5-pin LCD power connector	
1x VGA pin header; 1x LVDS connector	
1x S/PDIF output pin header; 1x SIM-card-Header (connected to MiniPCIe)	
1x Line-Out / Mic-In audio pin header	
1x 4-pin (2x2W) audio amplifier connector	
1x PS/2 keyboard/mouse connector (6-pin)	
2x USB 2.0 header supports additional 4x USB 2.0 ports	
3x RS232/RS485 COM connectors, switchable between RS232/RS485 in BIOS	
1x 8-bit Digital I/O interface	
1x Chassis Fan connector	

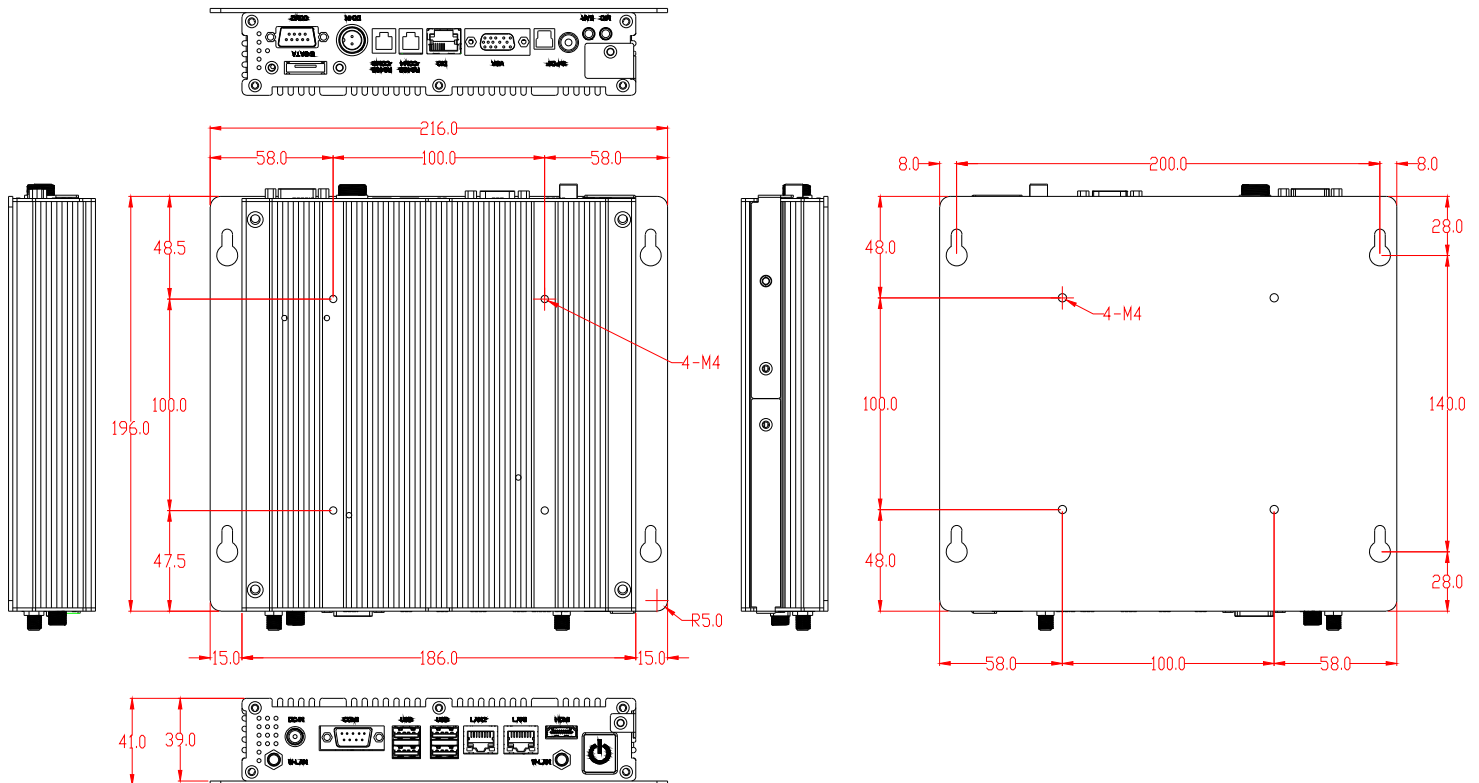
Operation / Mechanical	
Operating Temperature (°C)	-10 ~ +60
Humidity Range (RH)	10%-90%
Net weight (kg)	2.20
Gross weight (kg)	3.20 (incl. cartontage)
Housing material	Aluminum
Housing (cm) LxWxH	21.60 x 19.50 x 4.10
Mounting	VESA 100

Power	
Power Indicator	Green LED
Power Supply	100-240V ACDC active switching; 12V DC-Out
Working Power (V)	12
Power Consumption (W)	15
Stand-By Consumption (W)	<1

External Connectors	
1x Display port; 1x VGA-out (from internal header)	
1x USB 3.0; 3x USB 2.0 ports	
2x COM port Full-PIN (RS232/485; 5V/12V)	
2x COM port 3-PIN (RX, TX, GND; RS232/485 switchable)	
2x 10/100/1000Mbit RJ45 Ports; 2x W-LAN connector	
S/PDIF-Out (1x Cinch, 1x Torx)	
MIC-In, EAR-Out; 8x In/Out GPIO as RJ45	
1x 12V DC-In (screwable)	
1x 2.5" module slot, changeable SSD included	

Expansion slots	
2x Mini Card slots with PCIe and USB interface (2x Full Height/Half height changeable)	
1x PCIeX1 Straddle connector	

Included in the Delivery	
Power Supply (see Power section)	
Driver DVD	
Short Installation Manual	



Corporate Headquarters

faytech Tech. Co., Ltd.
 Building F., Hongmen Tech. Zone,
 Jihua Rd., Shenzhen, China 518129

support@faytech.com
contact@faytech.com
www.faytech.com

China: +86 755 89580612
 Germany: +49 551 82098660
 USA: +1 646 205 3214