

# N4200 Industrial PC (Box PC)

IPC4200



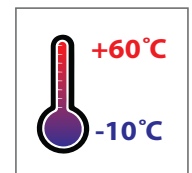
- Intel® Pentium™ N4200 QuadCore CPU
- 4GB RAM memory, 128GB Industrial SSD
- Supports Windows 10 & Linux (32Bit, 64Bit)
- VESA 100 / Screwhead holes (20×14 cm)
- Integrated audio speakers (2x2w)
- Integrated W-LAN and Bluetooth
- 2 year guarantee

- *Optional: N3350 DualCore CPU, 64GB SSD*

faytech's Industrial PCs are great in combination with any of faytech's touch monitors. Whether it is with the open frame, kiosks or standard touch monitors, the reliable industrial PC is suitable!

This small industrial PC is powered by the Apollo Lake mainboard. It is driven by the powerful Intel® Pentium® N4200 QuadCore with up to 2.5 Ghz clock frequency. The device is equipped with 4GByte RAM, 128G SSD and Intel's HD Graphic chipset, supporting Full HD, DirectX 11.1 and OpenGL 4.0.

These faytech PCs are the perfect choice for a wide variety of applications including POS systems, control panels in industrial fields, in kiosk systems, office/residence automation, digital signage and in areas like shopping malls, classrooms, hotels and many more.



Product name	N4200 Industrial PC (Box PC)
Model number / EAN number	IPCN4200 / 6920734005550

IP Rating	
IP40	

PC System	
CPU	Intel® Pentium™ QuadCore N4200
Chipset	Intel® E3800
Graphic GPU	Intel® HD Graphics
Audio	Realtek ALC3236 Audio CODEC
Memory	4GB DDR3L non-ECC
Storage (switchable)	faytech Industrial 128GB SSD
Network	2x Realtek PCIe GB LAN 8111G (1x optional with POE); W-LAN
Driver Support	Win10; Linux; 32Bit/64Bit
Preinstalled OS	Linux Ubuntu

Internal Connectors		
1x SO-DIMM, max. 4GB, DDR3L 1333/1600/1867 non-ECC Single channel memory		
3x RS232/RS485 COM connectors switchable in BIOS		
1x 12V DC power connector (2-pin)	2x LCD Backlight control/LCD panel voltage box	
1x 5V/12V SATA power connector	1x SIM-card-Header (connected to MiniPCIe)	
1x 4-pin SATA power connector	1x S/PDIF output pin header	
1x 8-bit Digital I/O interface	1x Line-out / Mic-in header	
1x Front Panel box header	1x Serial ATA 6Gb/s	2x USB 3.0 box header
1x MIPI CSI connector	1x LVDS box header	1x DIO connector

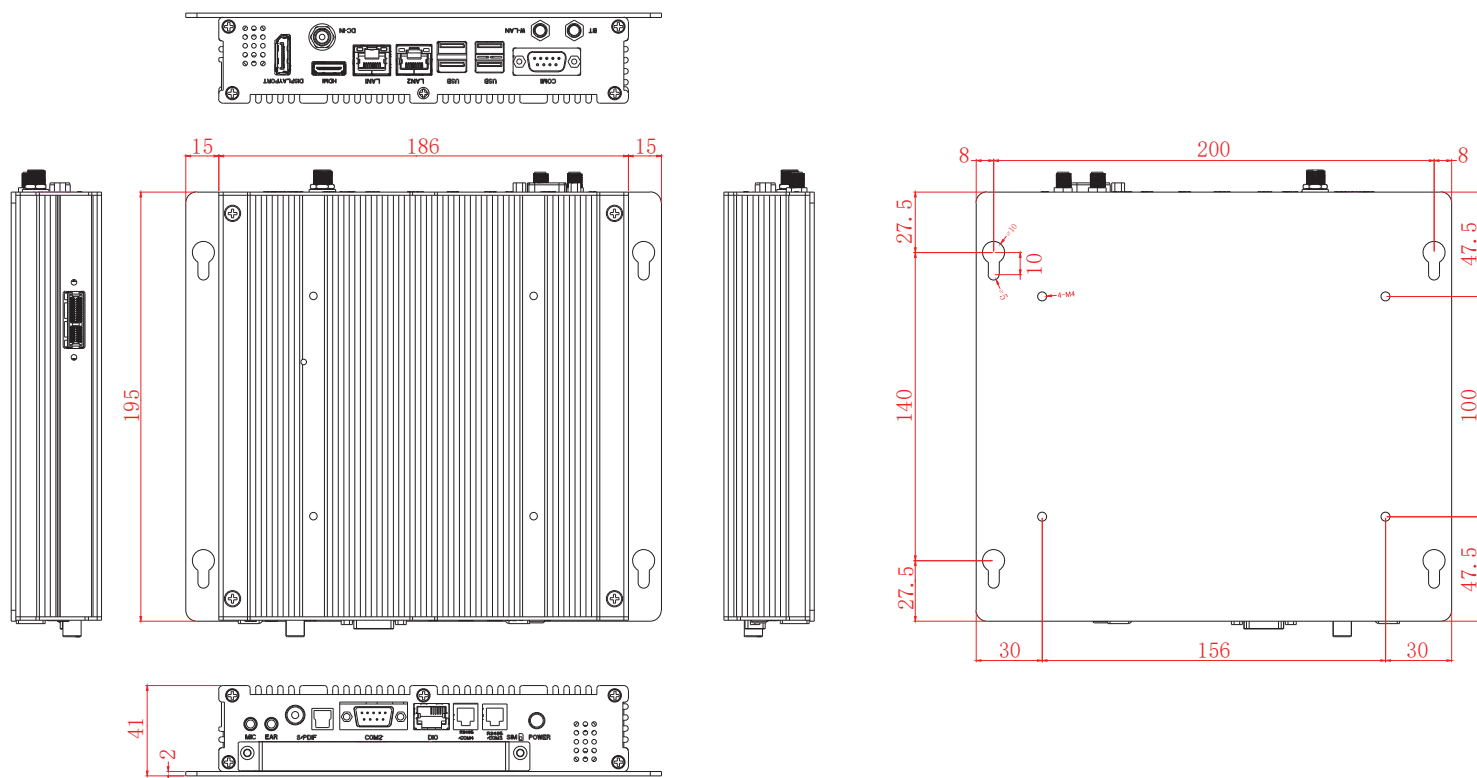
Operation / Mechanical	
Operating Temperature (°C)	-10 ~ +60
Humidity Range (RH)	10% - 90%
Net weight (kg)	2.20
Gross weight (kg)	3.20 (incl. cartorage)
Housing material	Aluminum
Housing (cm) L × W × H	21.60 × 19.50 × 4.10
Mounting	VESA 100 / Screwhead holes (20×14 cm)

Power	
Power Indicator	Green LED
Power Supply	100-240V ACDC active switching; 12V DC-Out
Working Power (V)	12
Power Consumption (W)	14
Stand-By Consumption (W)	<1

External Connectors	
1x 12V DC-In (screwable)	
1x HDMI	1x DP
2x USB 3.0	2x USB 2.0
1x LVDS	1x MIC-In & EAR-Out
1x 8-PIN DIO as RJ45	1x W-LAN antenna connector
1x Bluetooth antenna connector	
2x COM port Full-PIN - RS232/485; 5V/12V	
2x COM port 3-PIN - RX, TX, GND; RS232/485; 5V/12V	
2x 10/100/1000Mbit RJ45 Ports	
1x S/PDIF-Out (1x Cinch, 1x Torx module)	
1x 2.5" module slot, changeable SSD included	

Expansion slots	
1x Mini PCIe + mSATA (with SIM card) (2x Full Height/Half height changeable)	
1x PCIeX1 Straddle Connector	
1x M.2 E-key for wireless device	

Included in the Delivery	
Power Supply (see Power section)	
W-LAN antenna	
Short Installation Manual	



## Corporate Headquarters

**faytech AG**  
 Bischhäuser Aue 10  
 37213 Witzenhausen  
 Germany

[support@faytech.com](mailto:support@faytech.com)  
[contact@faytech.com](mailto:contact@faytech.com)  
[www.faytech.com](http://www.faytech.com)

China: +86 755 8958 0612  
 Germany: +49 5542 30374 10  
 USA: +1 646 205 3214  
 India: +91 11 49707436  
 Japan: +070 4127 5167