

21.5" version

FT215RK3576HBKCAPOB | 3030527690

24" version

FT24RK3576HBKCAPOB | TBD

27" version

FT27RK3576HBKCAPOB | 3030528808



Pictures show sample configurations, real product may vary.



DISPLAY

Display Size [inch]	21.5	23.8	27.0
Aspect Ratio	16 : 9	16 : 9	16 : 9
Resolution	1920 × 1080	1920 × 1080	1920 × 1080
Active Area [mm]	476.1 × 267.8	527.0 × 296.5	597.6 × 336.2
Brightness [cd/m ²]	500	500	500
Contrast Ratio	1000 : 1	3000 : 1	3000 : 1
LED life time [h]	30,000	30,000	30,000
Viewing Angle [°]	178 / 178	178 / 178	178 / 178
Display Interface	LVDS	LVDS	LVDS

PC/MONITOR SYSTEM (INTERNAL)

Processor	Rockchip RK3576
Chipset	Quad-Core Cortex-A72 & Quad-Core Cortex-A53
Standard Operating System	Android 14
RAM Size	4 GB DDR
EMMC Size	32 GB eMMC
GPU	Mali G52 MC3
NPU	6.0Tops
Loudspeaker	2× 4Ω 2W
Wifi + BT	2.4GHz, 5.0GHz + Bluetooth 4.2
Fans (24V)	2
DC IN (12V)	1
USB 2.0	3
USB 3.0/OTG	1
RJ45 Ethernet Network (10/100 Mbit/s)	1
HDMI Out 2.0	1
TF Card	1
Line-Out	1
AC In:100~240V	1

PERIPHERALS

POS	P300 (optional & custom upon request)
Printer	KP-80A
4G	4G Router
Microphone	AI custom build (optional)
Loudspeaker	AI custom build (optional)

TOUCH PANEL

Touch Type	Projected Capacitive 10-point Multi-touch
Printing Type	Organic
Glass Thickness [mm]	2.0
Cover Glass Surface Treatment	AG
IK Protection	IK08
Printing Color	RAL9004 (Black)
Strengthening	Thermally Strengthened
Touch Controller	Ilitek 2510P
Touch Interface	USB
Optical Bonding	Clear Bond®

ENVIRONMENTAL CONDITIONS

Operation Temperature	0°C to 50°C
Storage Temperature	-10°C to 60°C
Humidity Range	10% to 90%

CERTIFICATIONS

CE Conform	Yes
FCC Conform	Yes

CHASSIS

Case Design	Zinc Plated Sheet Rubber Frame Sealed Display
IP Protection	IP65 Front / IP40 Back
Case Color	RAL9004 (Black)
Case Coating	Powder Coating
Display Case Material	Aluminum
Case size L × W × H [mm]	21.5: 360.0 × 360.0 × 1625.8 23.8: TBD × TBD × TBD 27.0: 400.0 × 400.0 × 1747.4
Mounting	Stable base

ACCESSORIES

AC Cable	Yes
Short Instruction manual	Yes

POWER

Power Supply	100-240V AC		
Working Power	AC-IN		
Power Consumption	~60W	TBD	~80W
Stand-By Consumption [Android / Ubuntu]	<1W		

INTENDED USE/APPLICATION

The device is to be used as touchscreen kiosk for semi-outdoor & indoor use as information display, digital signage, way-finding, POS and similar applications.

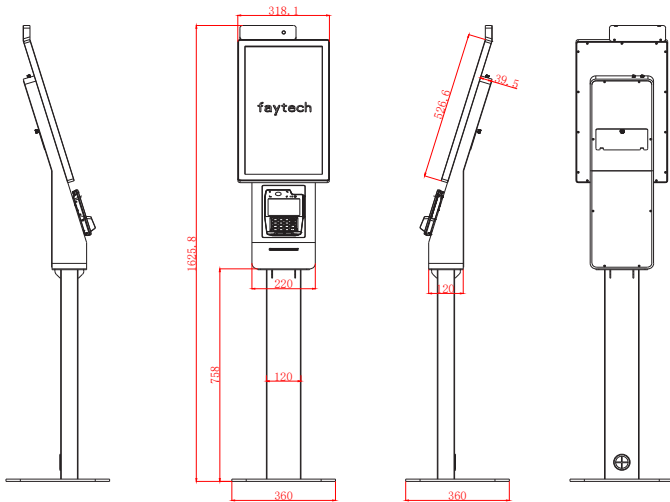
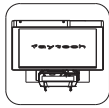
Direct sunlight might increase the device temperature beyond the allowed storage and operation conditions. Therefore the devices must be protected against direct sunlight. Devices operated or stored outside the specified temperature ranges are not covered by warranty.

WEIGHT & PACKAGING

Net Weight	25.0 KG	TBD	32.0 KG
Gross Weight (incl. Cartonage)	80.0 KG	TBD	88.0 KG
Packaging Material	Eco-friendly wooden crate pallet		
Packaging Size L × W × H [mm]	480.0 × 460.0 × 2000.0		

DIMENSIONS

21.5" version



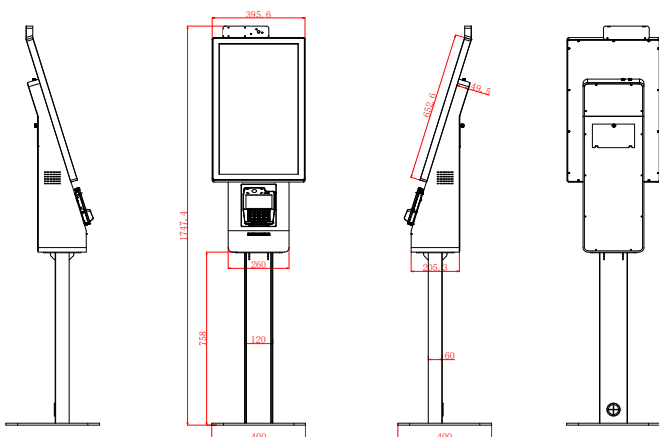
DIMENSIONS

24" version

TBD

DIMENSIONS

27" version



General Tolerance: ISO 2768-1c

UPDATE NOTES:

Version:	Changes:
v1	First version