

FT30MCOLEDKCAPOB
v1: GL: TBD | EU: TBD

Prototype Datasheet (Preliminary)



Pictures show sample configurations, real product may vary.

DISPLAYS

30" Transparent OLED Touch Display

Display Size [inch]	30.0
Display Type	Transparent OLED
Aspect Ratio	16 : 9
Resolution	1366 × 768
Active Area [mm]	664.29 × 373.48
Brightness [cd/m²]	200
Contrast Ratio	135,000 : 1 (880) / 1,050,000 : 1 (810L)
LED life time [h]	30000
Viewing Angle [°]	120/ 120
Display interface	v by one

2.1" Napster View 3D Circular Display

Display Size [inch]	2.1
Display Type	TFT LCD Displays
Resolution	480 × 480
Brightness	300
Viewing Angle [°]	170 / 170

PC/MONITOR SYSTEM

PC Unit	Apple Mac mini (M4)
Processor	Apple M4 chip with 10-core CPU, 10-core GPU, and 16-core Neural Engine
Operating System	MacOS
RAM Size	16GB unified memory
SSD Size	256 GB
Network interface	Wi-Fi 6E (802.11ax)
External AC 110-230 V	1
External LAN	1

MIC/CAMERA/AUDIO

Microphone	faytech's AI Microphone 4-array
48MP Camera	8000 × 6000 @ 5fps, 4000 × 3000 @ 12fps 3840 × 2160 @ 30fps, 120° FOV
Audio Speakers	Bass RMS: 80W × 2 Full range RMS: 40W × 4 Treble RMS: 10W Frequency response: 40Hz~20KHz±3DB Signal-to-noise ratio: ≥85 Resolution: ≤50DB

TOUCH PANEL

Touch Type	Projected Capacitive 10-point Multi-touch
Printing Type	Organic
Glass Thickness [mm]	2.0
Glass compound structure	4-layered-safety-glass
Cover Glass Surface Treatment	AG (chemical etching)
IK Protection	IK08
Printing Color	RAL9004 (Black)
Strengthening	Thermally Strengthened
Touch Controller	ZBCKMKZBFAY008-A
Touch Interface	USB
Touch Resolution RX	78
Touch Resolution TX	45
Optical Bonding	Clear Bond®

ENVIRONMENTAL CONDITIONS

Operation Temperature	-10°C to 60°C
Storage Temperature	-20°C to 60°C
Humidity Range	10% to 90%

CERTIFICATIONS

CE Certificate	Yes
FCC Certificate	Yes

CHASSIS

Case Design	Custom
IP Protection	IP40
Case Color	RAL9004 (Black) & Brown
Case Coating	Powder Coating
Case Material	Aluminum, Wood & Metal
Case size L × W × H [mm] (w/ base plate)	600.0 × 400.0 × 1564.7
Case size L × W × H [mm] (w/o base plate)	500.0 × 190.0 × 1564.7
Mounting	free-standing

ACCESSORIES

Power Cable	100-240V AC
Short Instruction manual	Yes
Stable Metal Stand	Yes

INTENDED USE/APPLICATION

The device is to be used as (touchscreen) Kiosks for indoor use as an interactive AI & sound hub kiosk.

Direct sunlight might increase the device temperature beyond the allowed storage and operation conditions. Therefore the devices must be protected against direct sunlight. Devices operated or stored outside the specified temperature ranges are not covered by warranty.

POWER

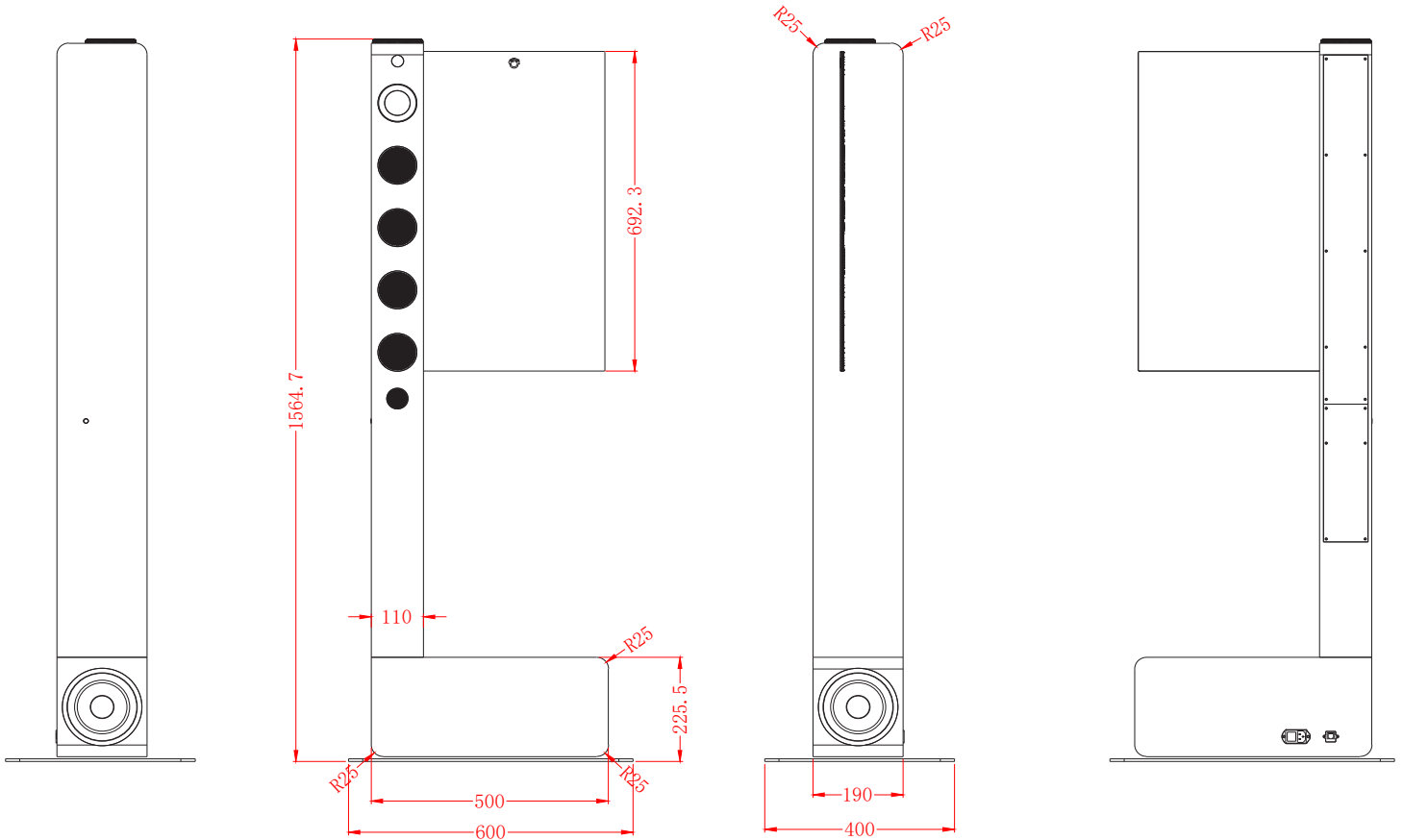
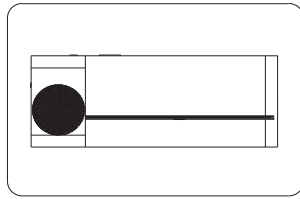
Power Indicator	Green LED
Working Power	100-240V
Power Consumption	TBD
Stand-By Consumption	<2W

WEIGHT & PACKAGING

	Net Weight	~39.0 kg
Touch Kiosk	Gross Weight	TBD est. (incl. Cartonage)
	Packaging Size L × W × H [mm]	~ 1880.0 × 822.0 × 670.0
Packaging Material	100% recyclable cardboard, wood and polyethylene (PE)	

DIMENSIONS

Pictures show sample configurations, real product may vary.



UPDATE NOTES:

Version:	Changes:
v1	First version